

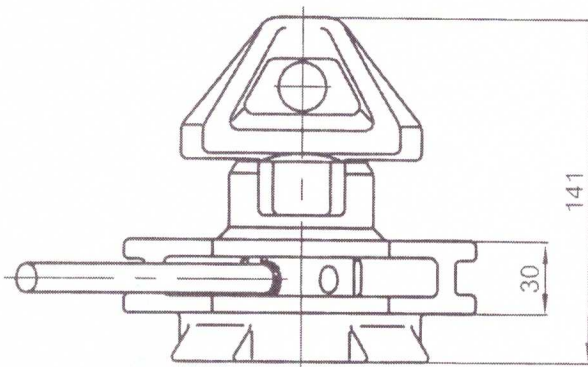
SCL

ScLashing Shanghai Co., Ltd

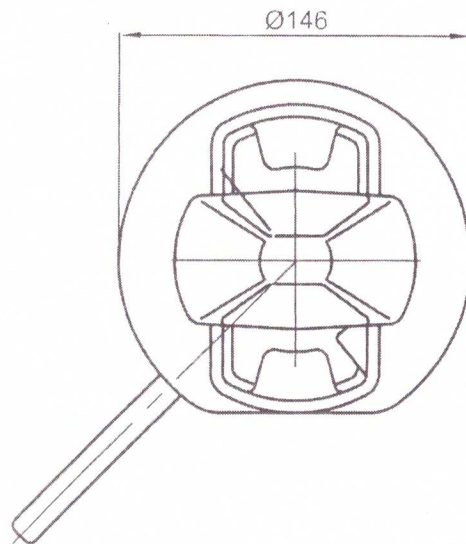
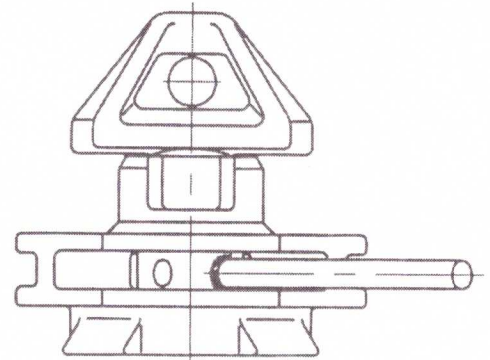
BREECH BASE TWISTLOCK

CONTAINER LOOSE MATERIALS

Left handle TLB-1



Right handle TLB-1R



Specifications:

Classification: All items are approved by major classification societies

Materials: Cast & forged steel

Finish: Hot dipped galvanized

Remark: Other dimensions, materials and finish upon request

MODEL NO.	B.L.	WEIGHT
TLB-1	353KN	6kg
TLB-1R		