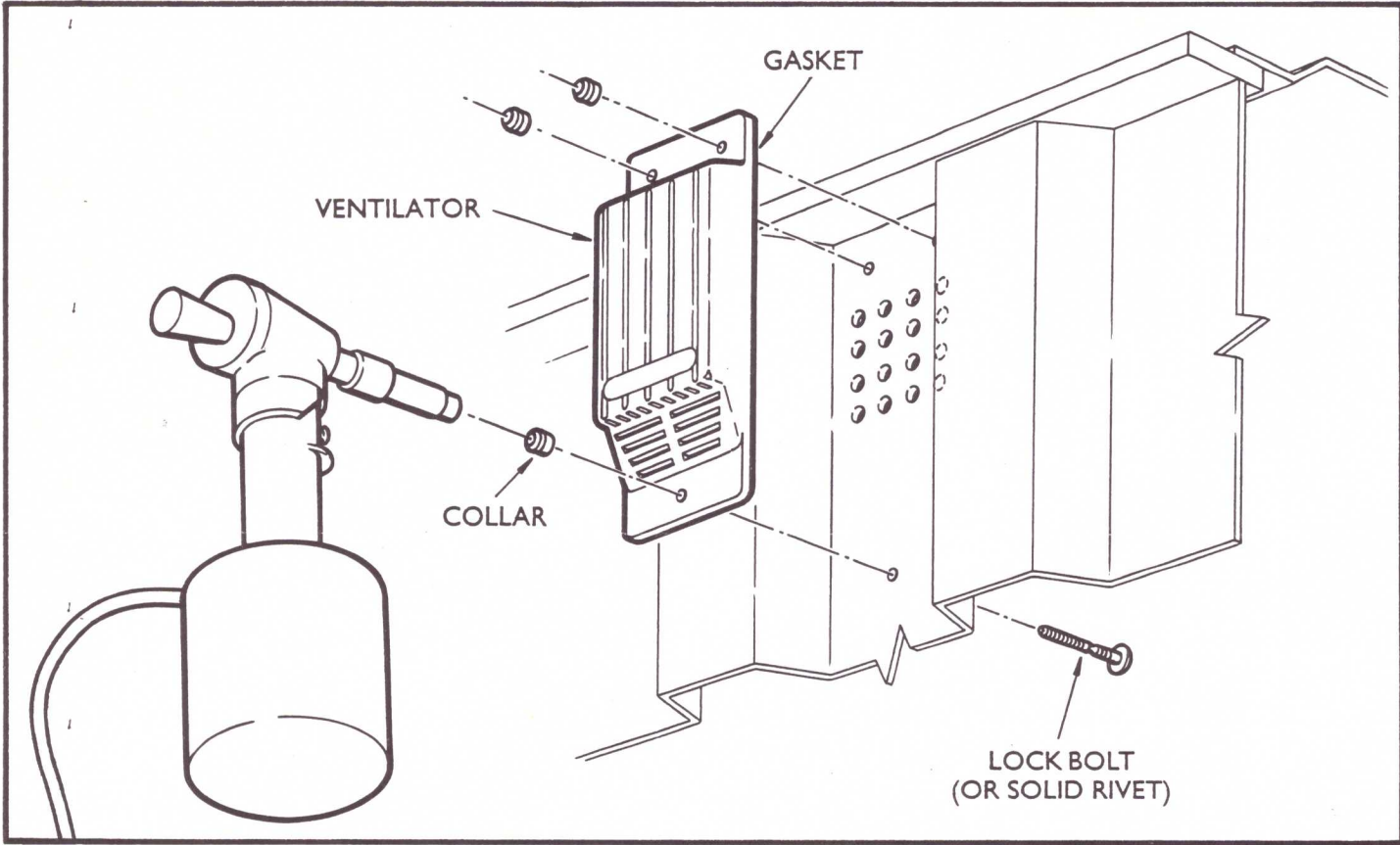
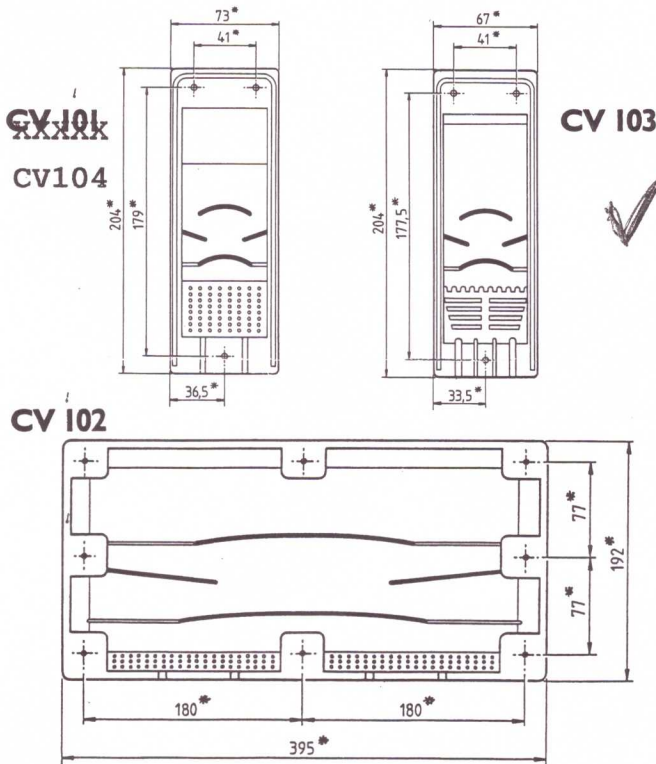


EASY TO INSTALL



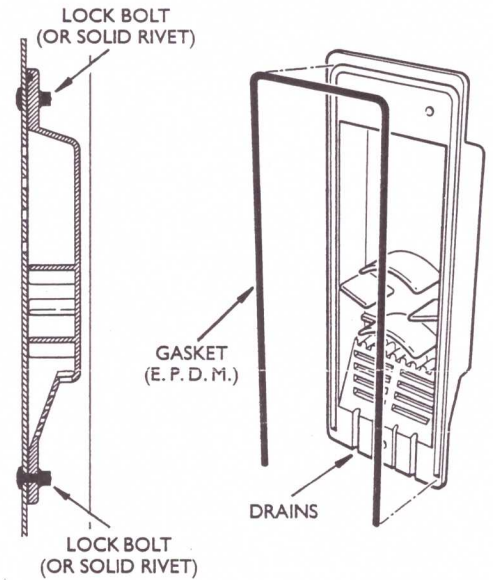
Ventilator can be easily installed. It can be dismantled for refurbishment and reinstalled.



Large vent capacity.

CV104 and CV103 are packed 50 to a carton.

CV102 are packed 30 to a carton.



Triple internal baffle construction prevents rain or seawater from leaking into container.

Material: A.B.S. resin (nylon), withstands temperatures from 80 °C to -50 °C.

* (subject to technical modification)