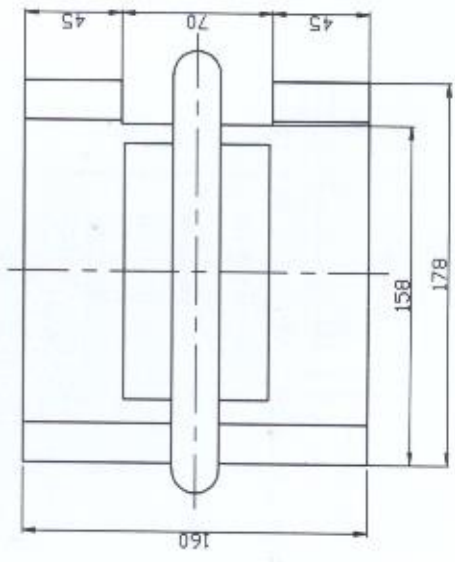
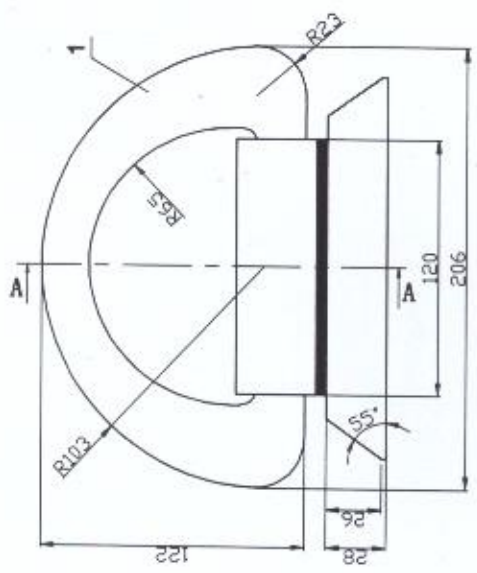
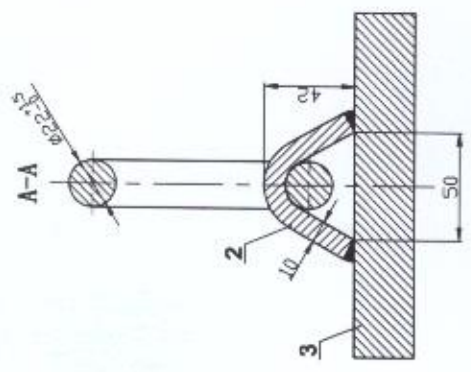


No.	ALTERATION	DATE	SIGN
-----	------------	------	------



LOADS	TENSION[KN]		
	BL	PL	SWL
BREAKING LOAD	360		
PROOF LOAD		225	
SAVE WORKING LOAD			180

ITEM	QTY	DESCRIPTION	DRAWING NR	MATERIAL	REMARK
3	1	Plate	/	Q355B T28	/
2	1	Strap	LP-91-55-2	Q355B T10	/
1	1	D-Ring	LP-91-55-1	40Cr	Forging

TITLE: DOVETAIL D-RING 55° (55°燕尾D型环36T)
DRAWING NR: LP-91-55

UNICON INTERNATIONAL CORP.
WEIGHT (重量) :kg
DATE: 2020.01.15 SERIAL NO.
DRAWN: KEVIN XIE

Yuan Da ROAD Guan Lin TOWN
YIXING CITY JIANGSU
PROVINCE CHINA
PHONE: 0510 - 87831201
FAX: 0510 - 87831203
E-MAIL: jimmyjiang@uniconcorp.com