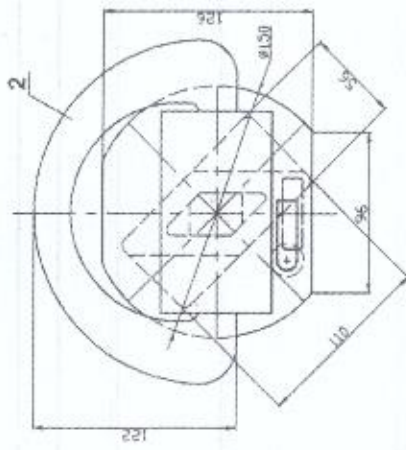
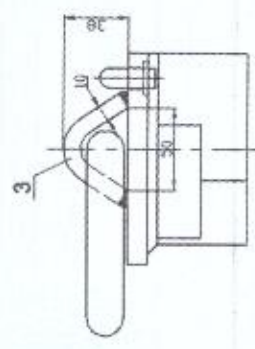
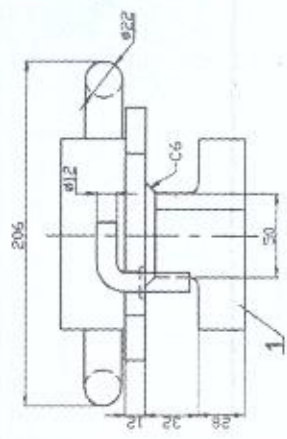


No. ALTERATION DATE SIGN



ITEM	QTY	DESCRIPTION	DRAWING NR	MATERIAL	REMARK
4	1	Pin	LP-16-4	ZG45	Ø12
3	1	Strap	LP-16-3	Q355B T10	/
2	1	D-Ring	LP-16-2	40Cr	Forging
1	1	Turnfoot	LP-16-1	SCW480	Casting

TITLE: TURNFOOT D-RING For 36T (36吨移动式D型环)  
DRAWING NR: LP-16 (36T)

UNICON INTERNATIONAL CORP.  
WEIGHT (重量) : 6.11kg  
DRAWN KEVIN XIE

LOADS		TENSION [KN]
BREAKING LOAD	BL	360
PROOF LOAD	PL	225
SAVE WORKING LOAD	SWL	180

Yuan De ROAD Guan Lin TOWN  
YIXING CITY, JIANGSU  
PROVINCE CHINA  
PHONE 0510 - 87831201  
FAX 0510 - 87831203  
E-MAIL jimmyjiang@uniconcorp.com